

VIBO
Wire processing

Portata massima:
Maximum load:
Charge maxi:
Maximale belastbarkeit:
Carga maxima:

25
Kg

Istruzioni di montaggio

Assembling instructions

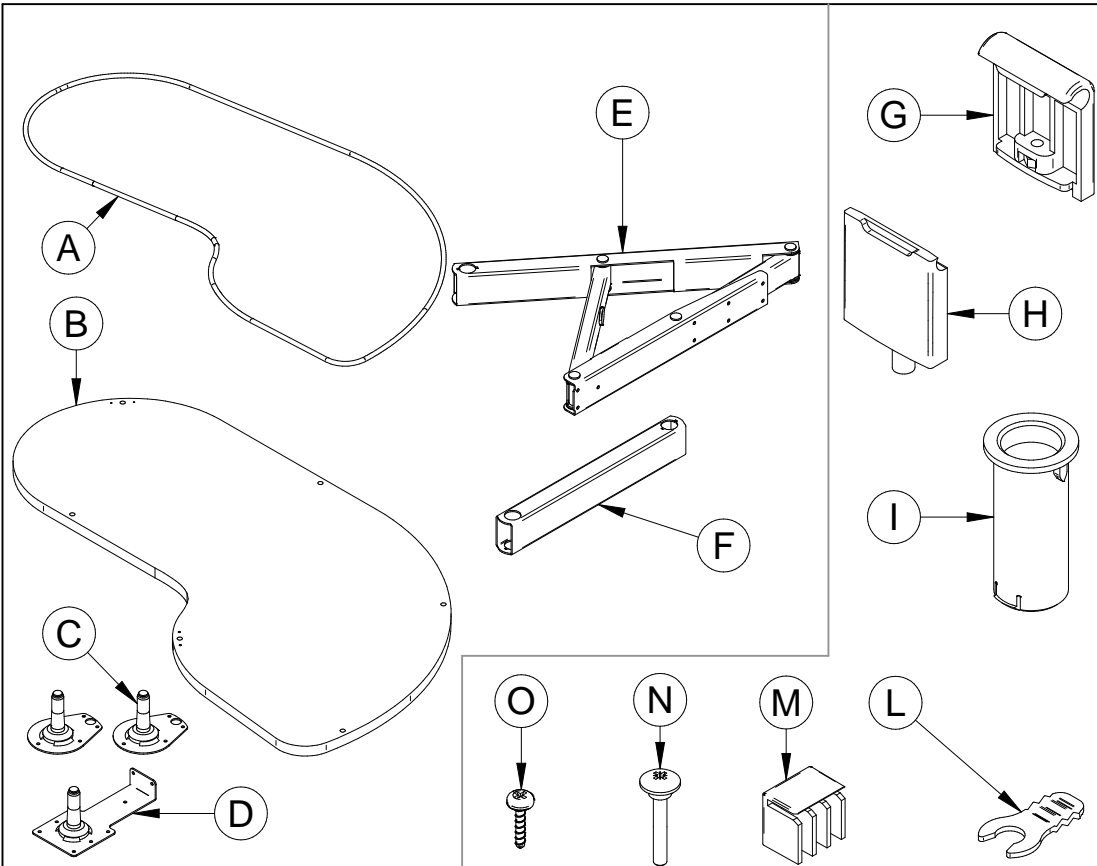
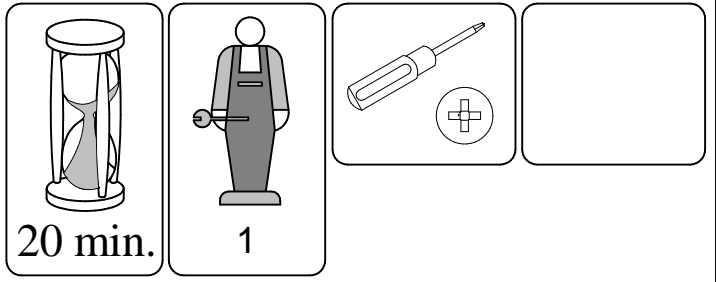
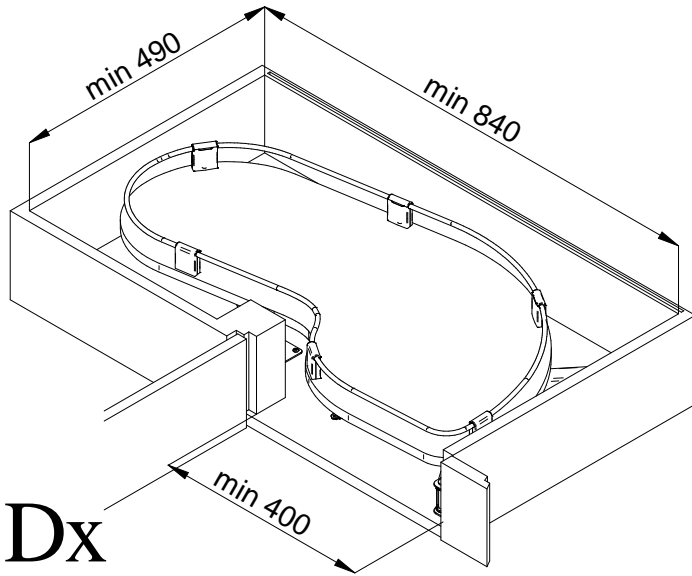
Notice de montage

Montageanleitung

Manual de montaje

Reversibile - Reversible
Rèversible - Reversibel - Reversible

EUK45F1



**PRIMA DI COMINCIARE,
VEDERE I CONSIGLI DI
MONTAGGIO**

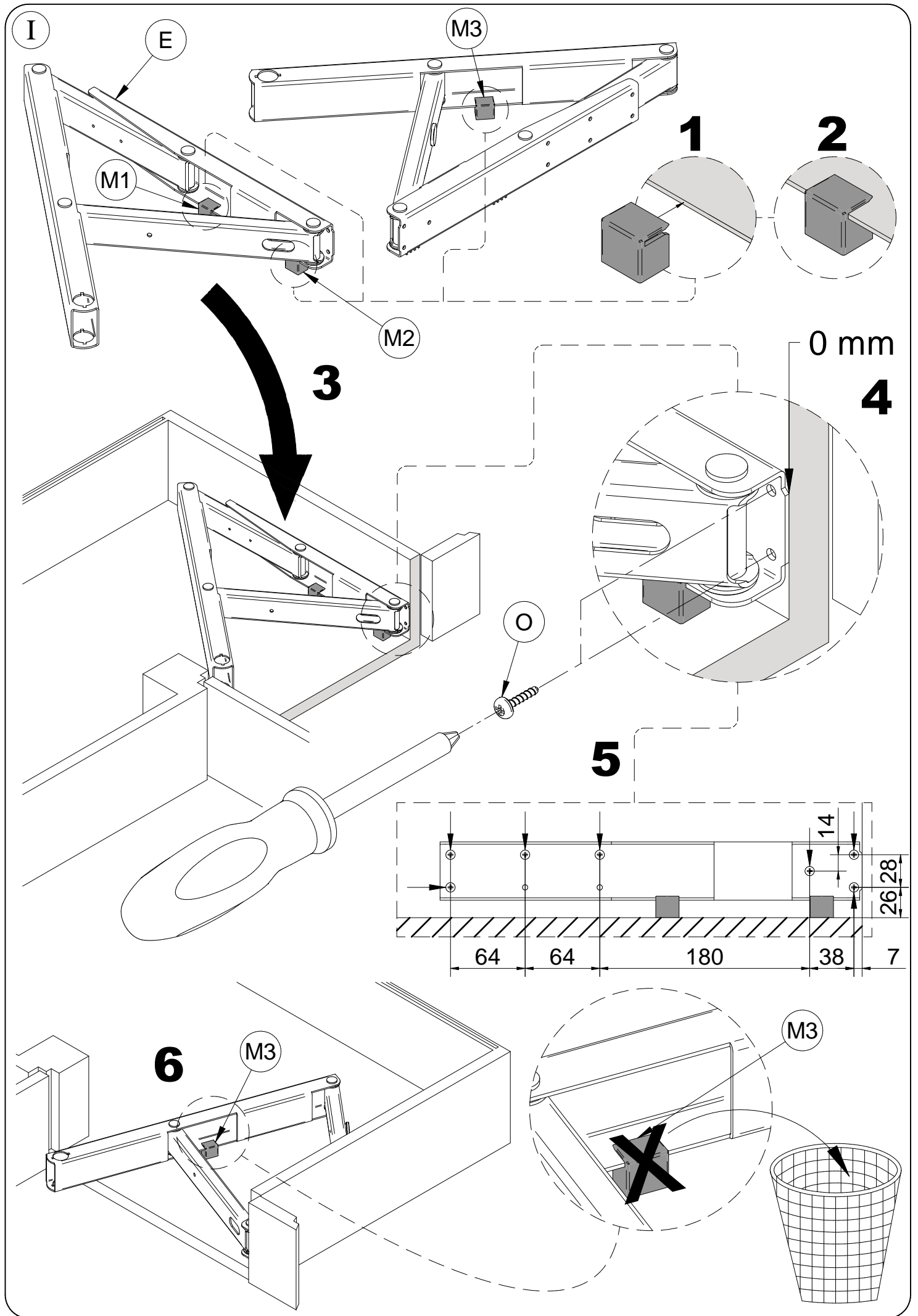
BEFORE STARTING, REFER
TO THE ASSEMBLING
ADVICE IN ANNEX

AVANT DE COMMENCER, SE
REPORTER AUX CONSEILS
DE MONTAGE EN ANNEXE

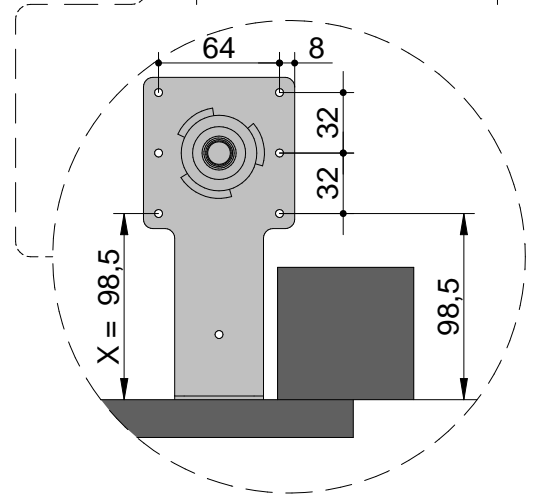
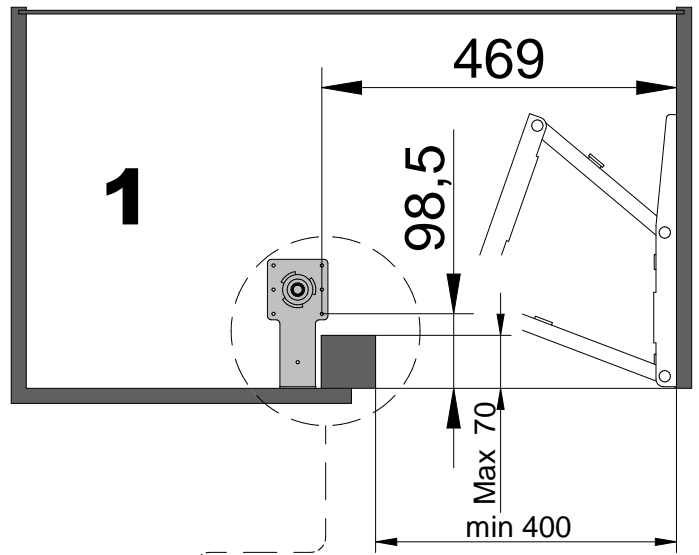
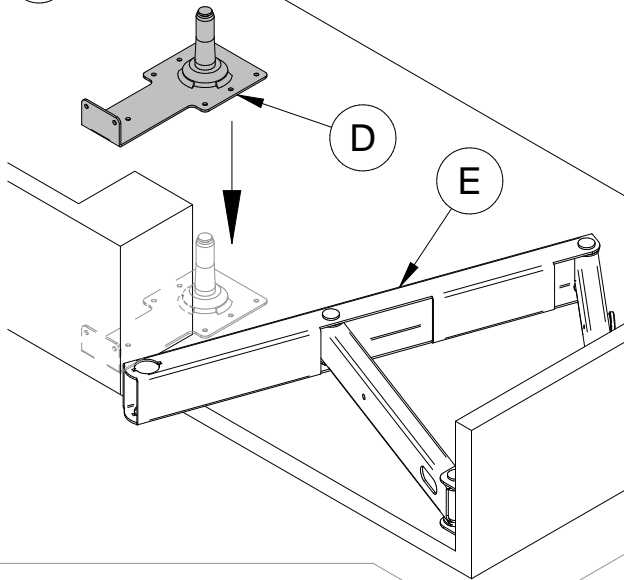
VOR DIE MONTAGE, BITTE
BEILIEGENDE
ANWEISUNGEN FOLGEN

ANTES DE EMPEZAR
CONSULTE LOS CONSEJOS
PARA EL MONTAJE

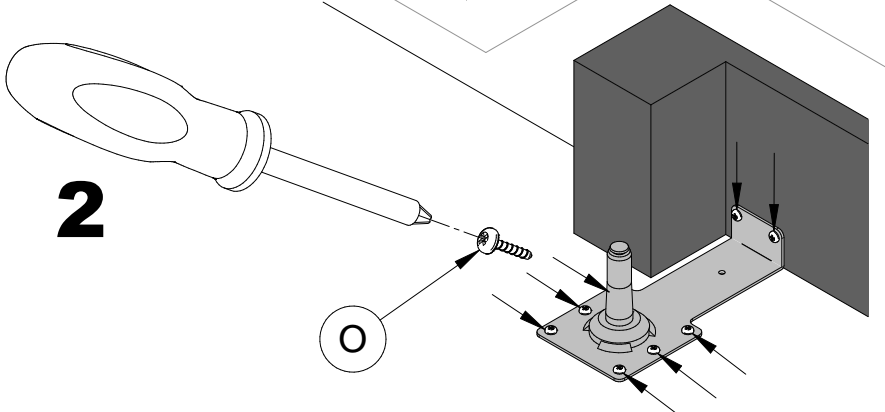
A x 1	B x 1	C x 2	D x 1	E x 1	F x 1	
G x 6	H x 6	I x 3	L x 3	M x 3	N x 6	O x 25



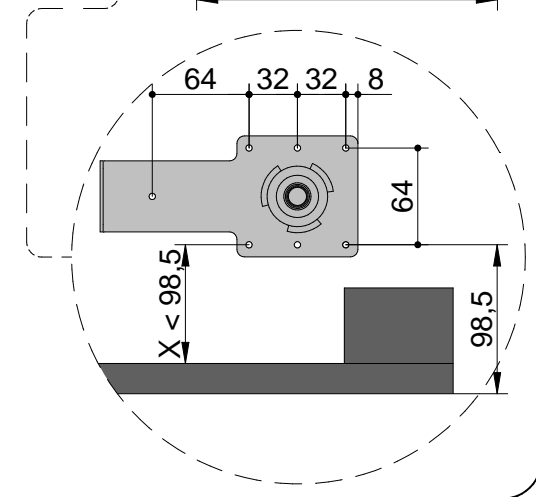
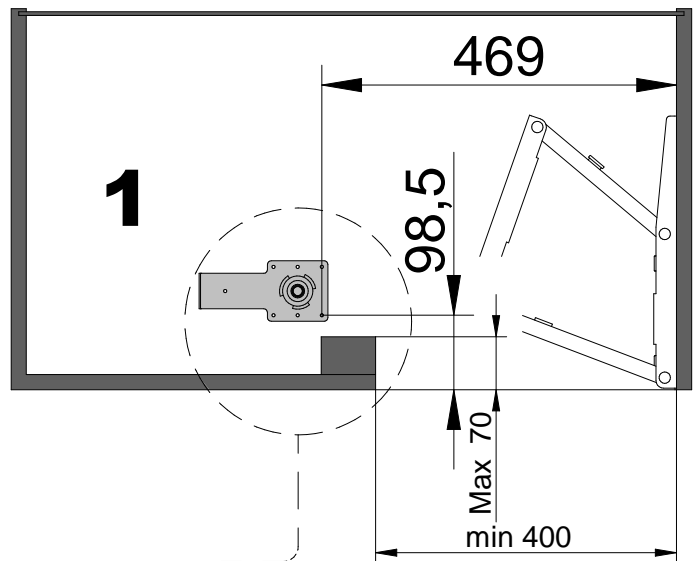
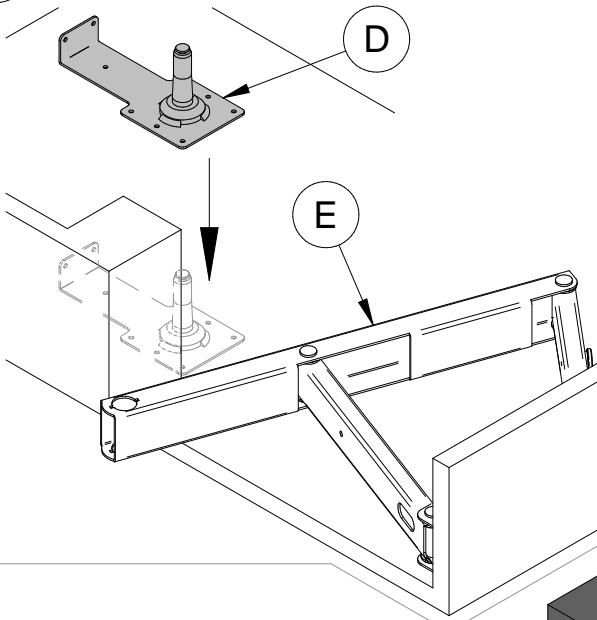
IIa $X = 98,5\text{mm}$



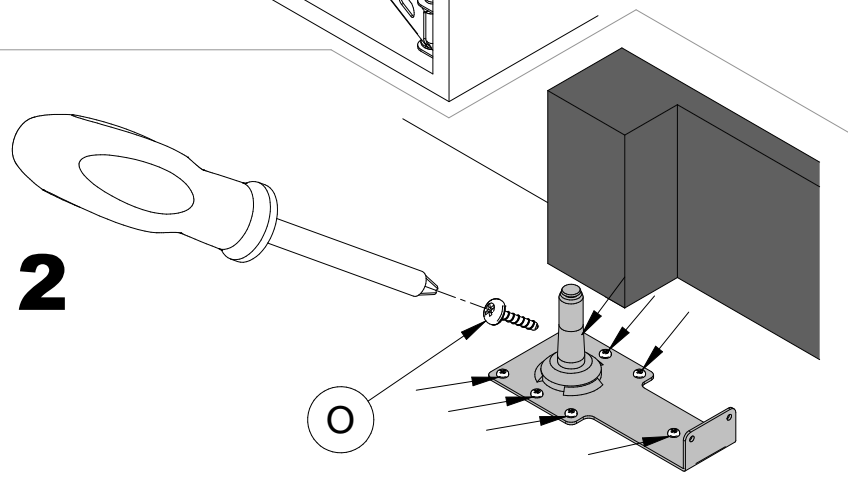
2



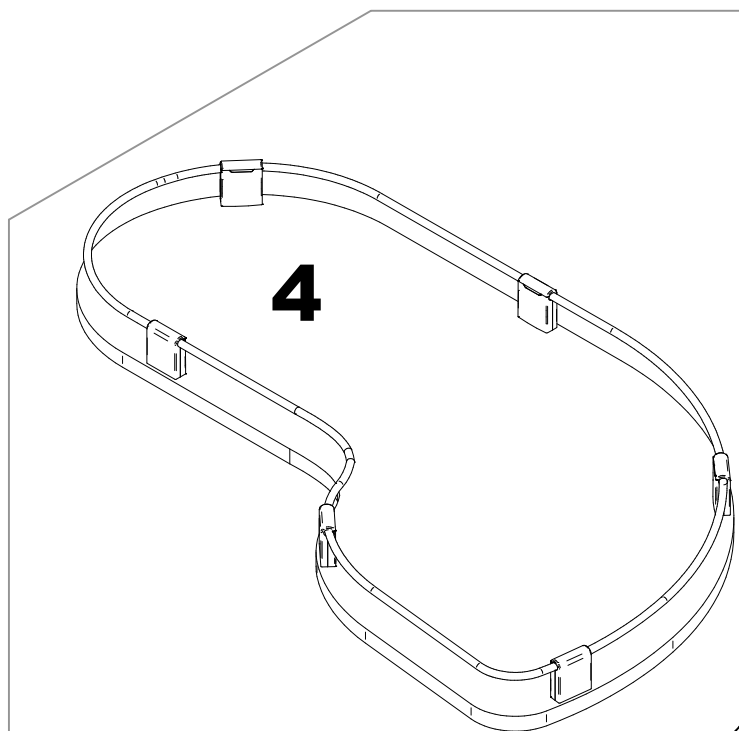
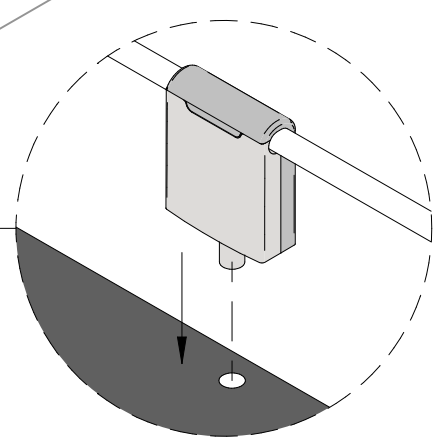
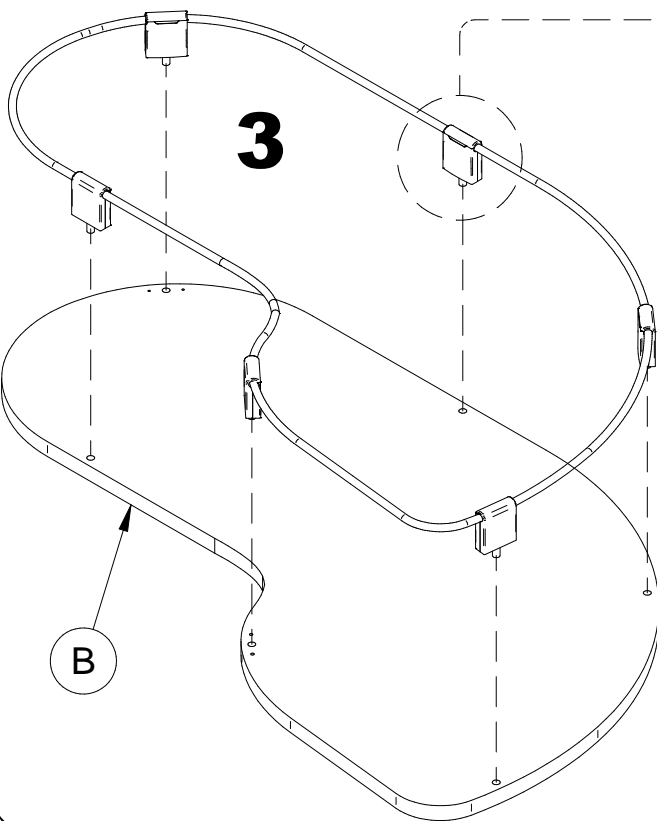
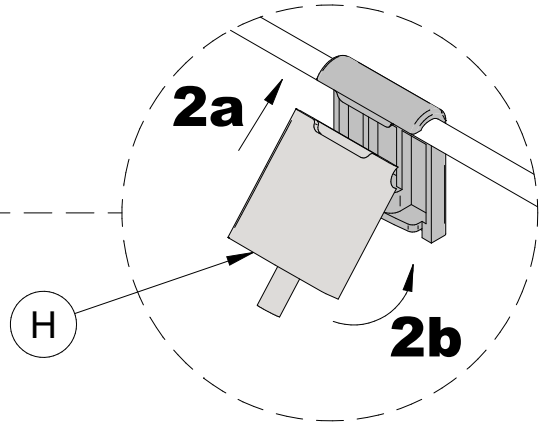
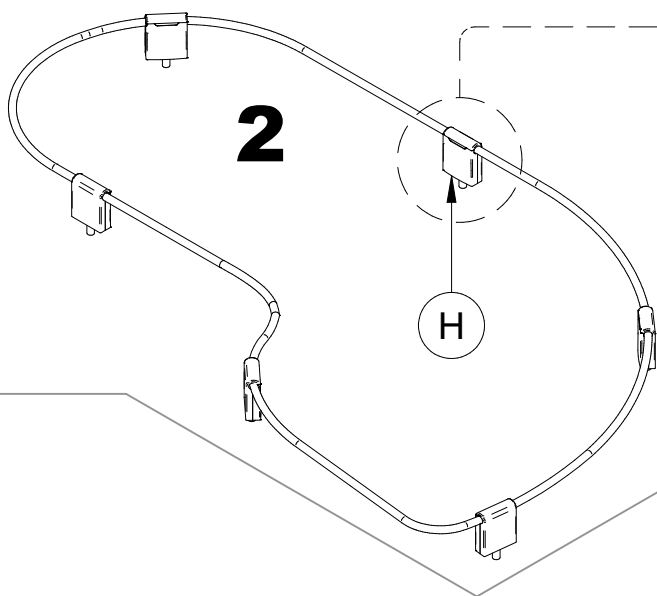
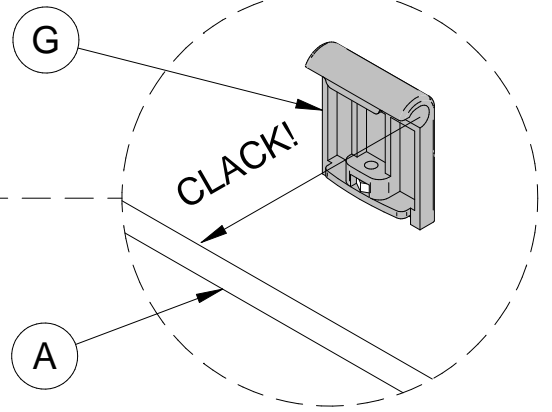
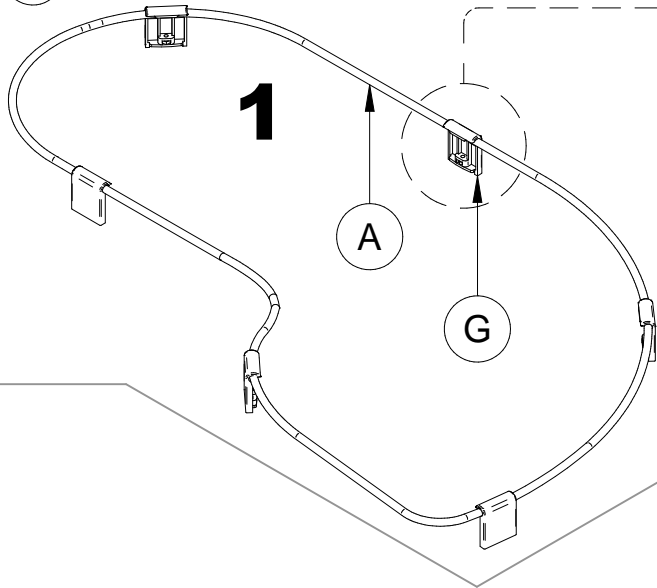
IIb $X < 98,5\text{mm}$



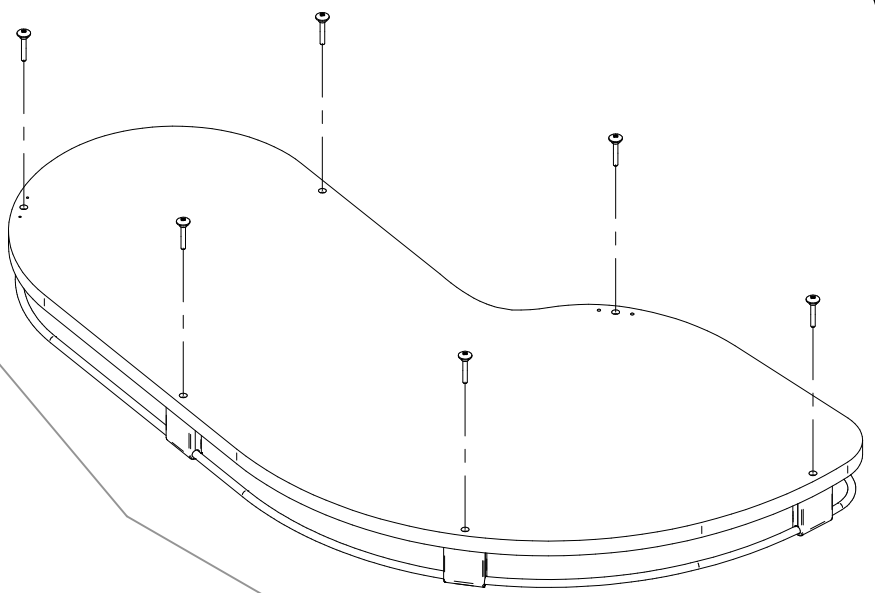
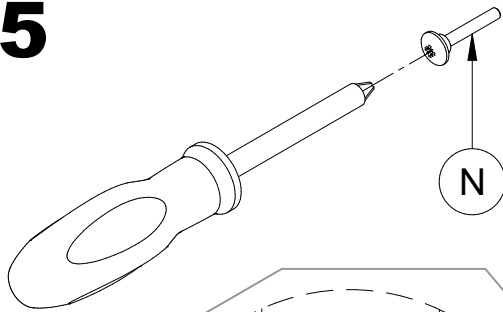
2



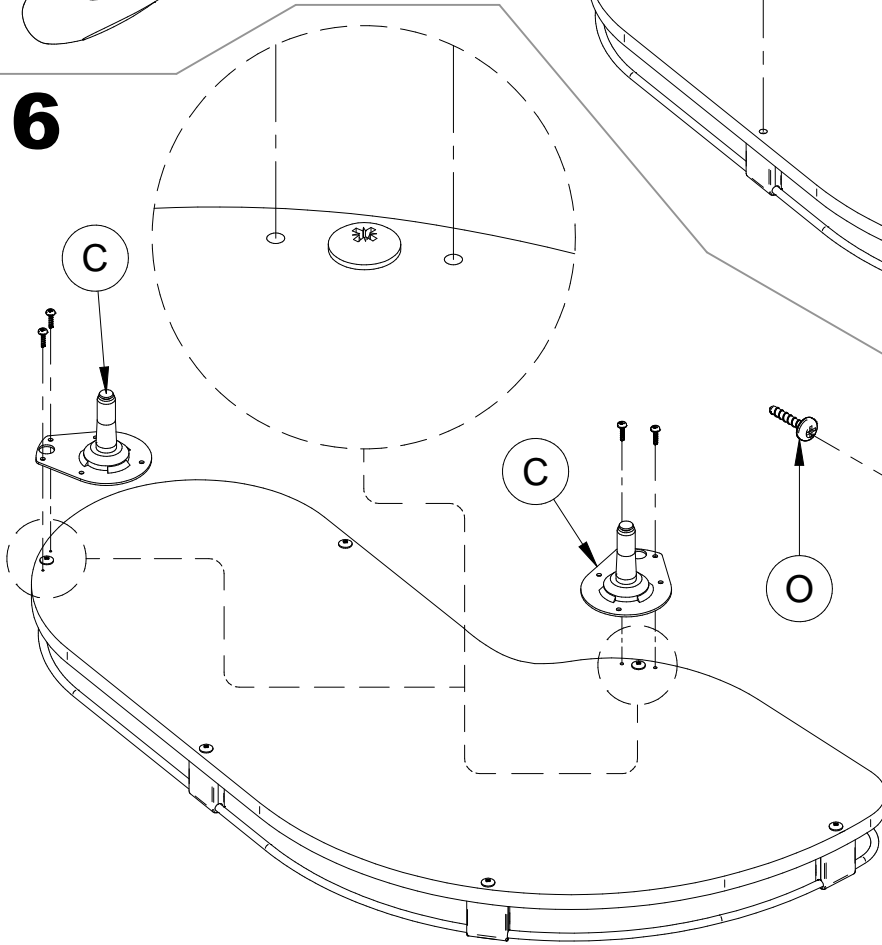
III



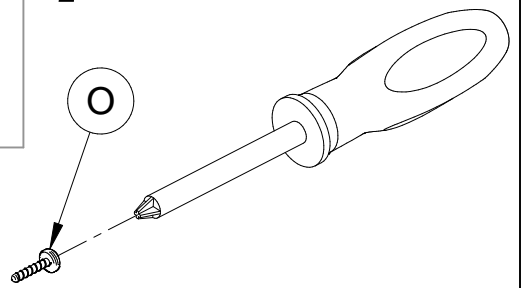
5



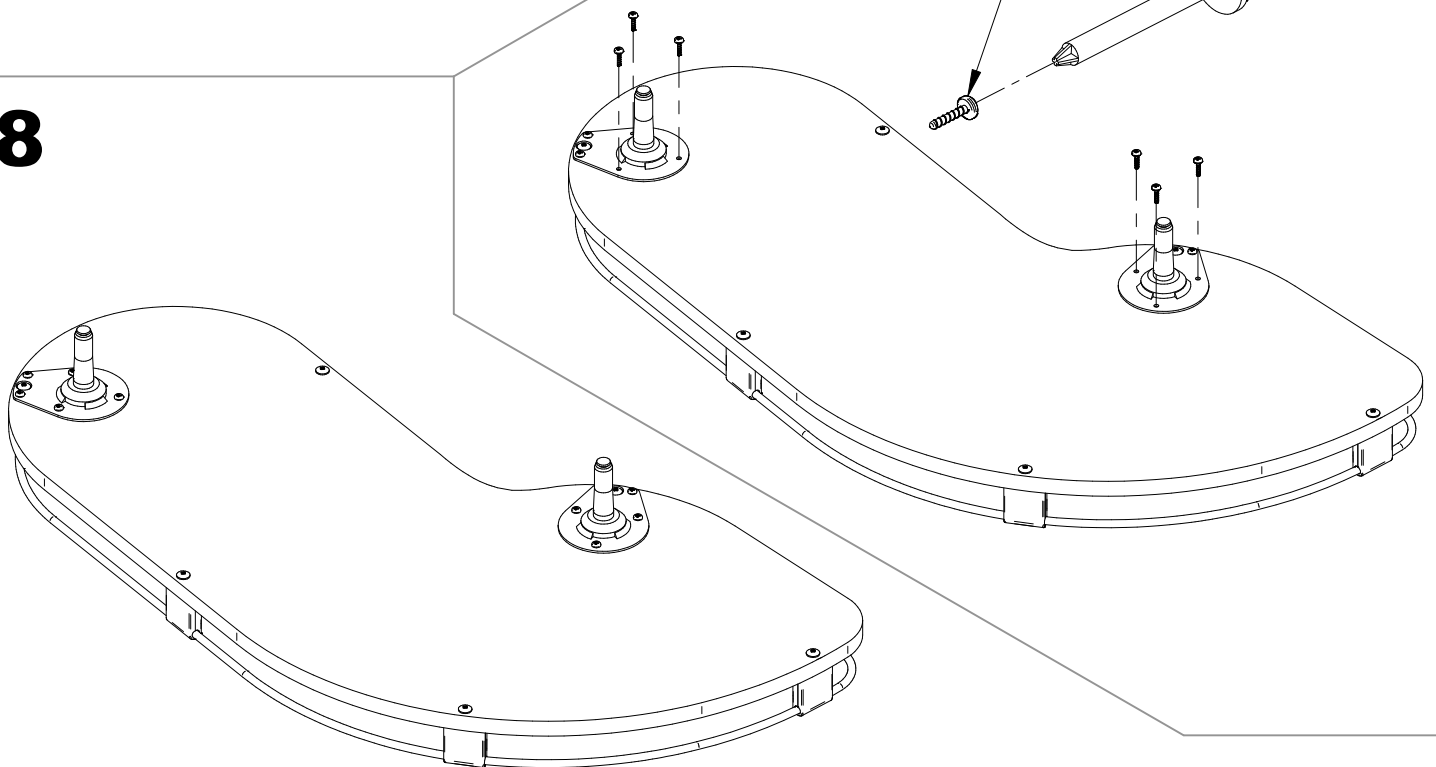
6

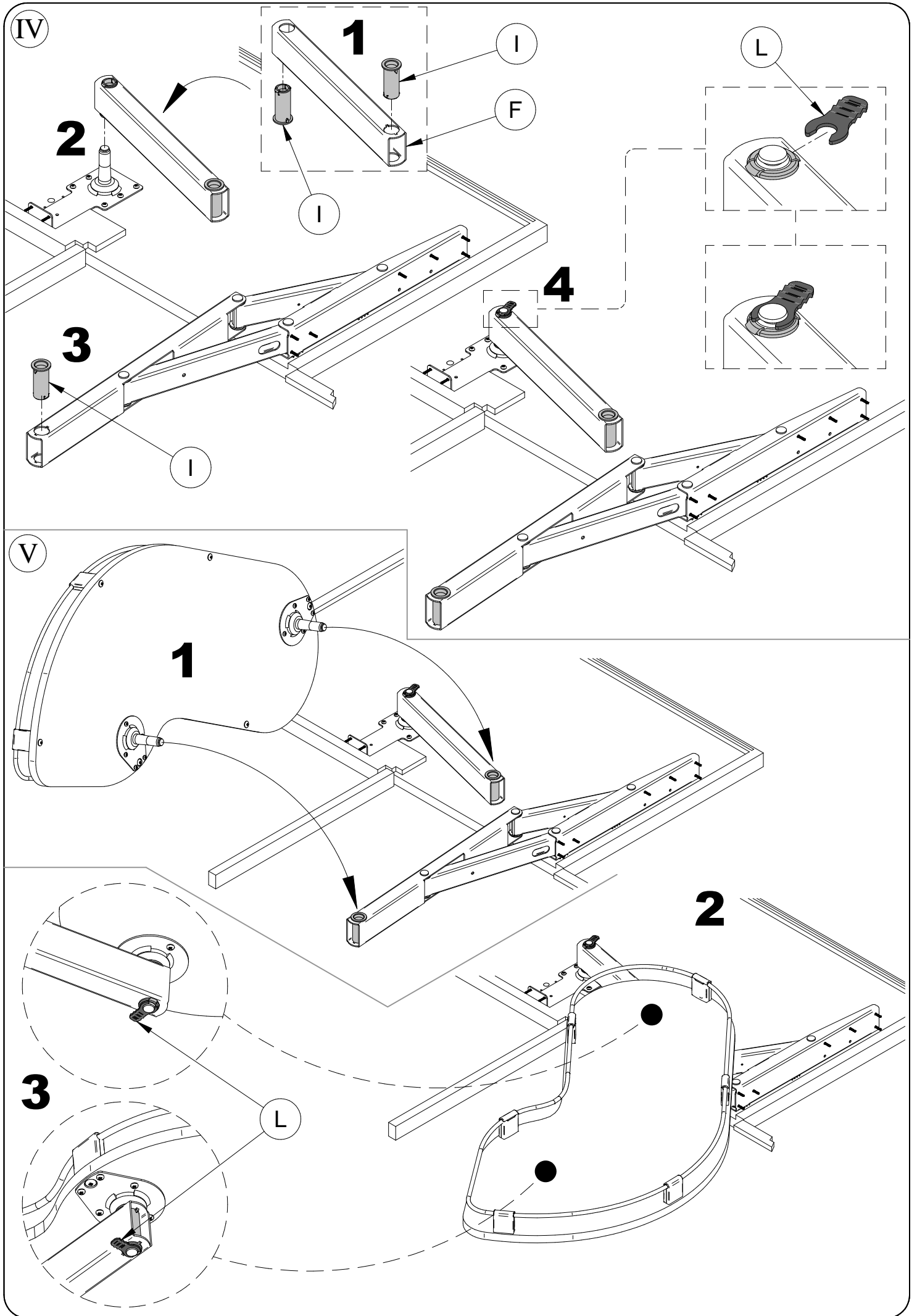


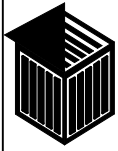
7



8







VIBO
Wire processing

Portata massima:
Maximum load:
Charge maxi:
Maximale belastbarkeit:
Carga maxima:

25
Kg

Istruzioni di montaggio

Assembling instructions

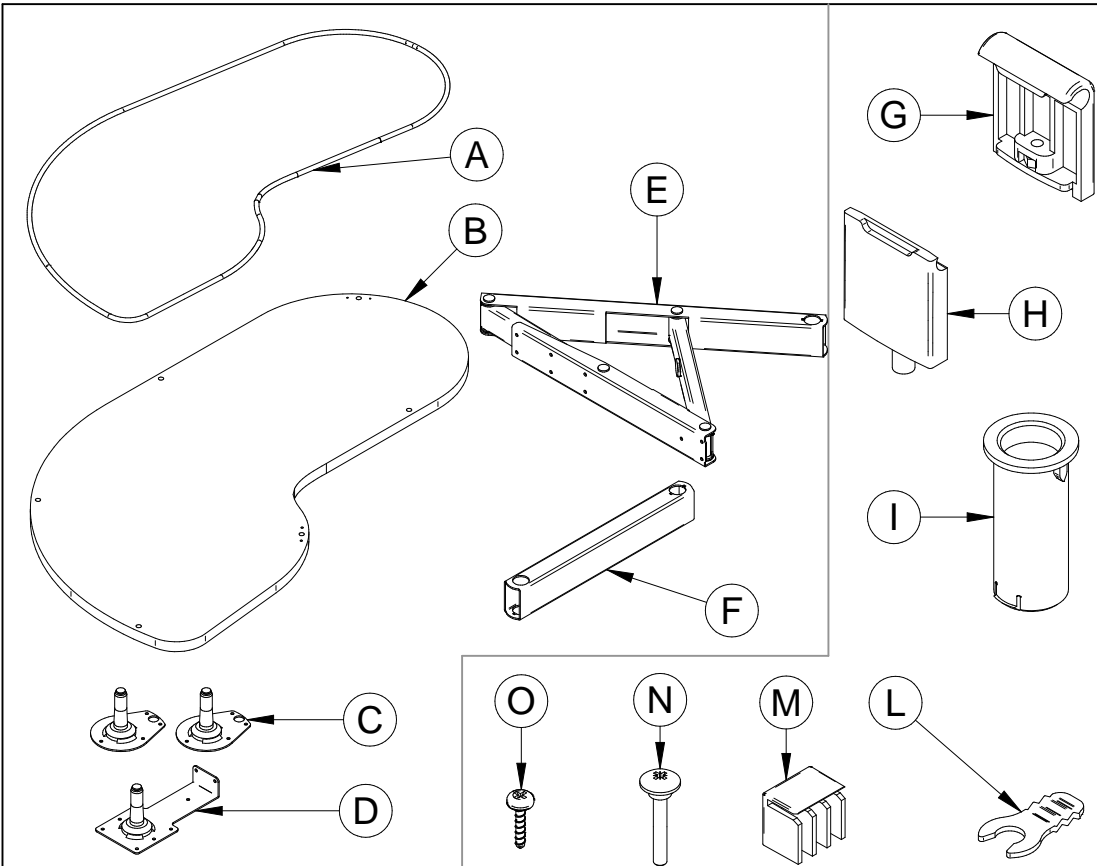
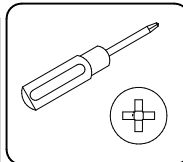
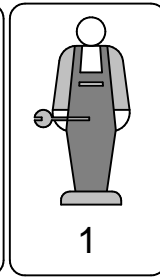
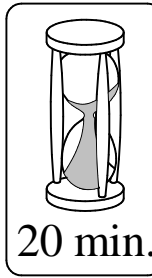
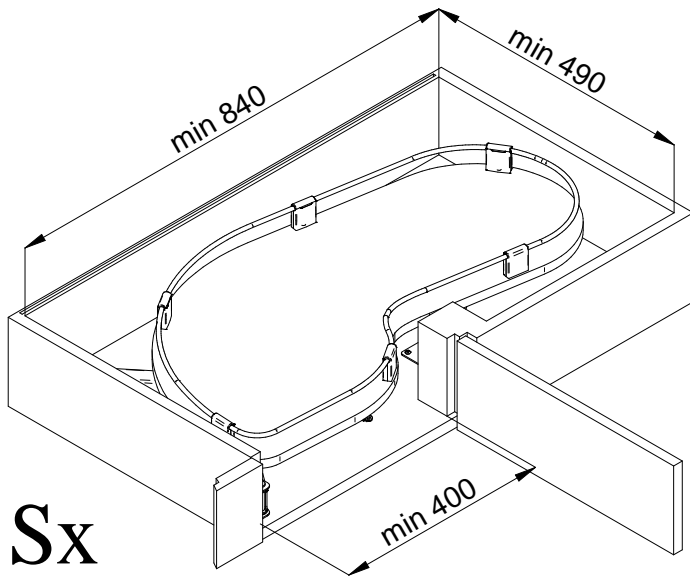
Notice de montage

Montageanleitung

Manual de montaje

Reversibile - Reversible
Rèversible - Reversibel - Reversible

EUK45F1



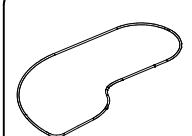
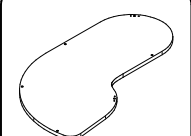
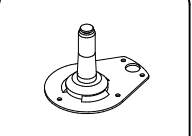
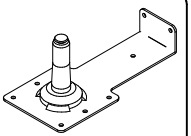
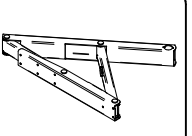
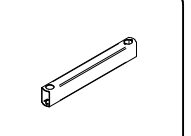
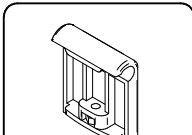
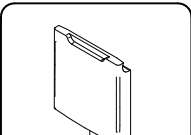
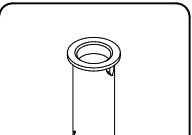
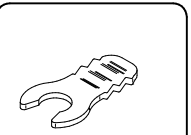
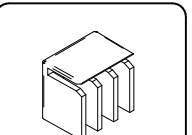
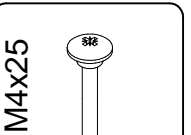
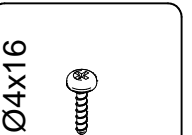
**PRIMA DI COMINCIARE,
VEDERE I CONSIGLI DI
MONTAGGIO**

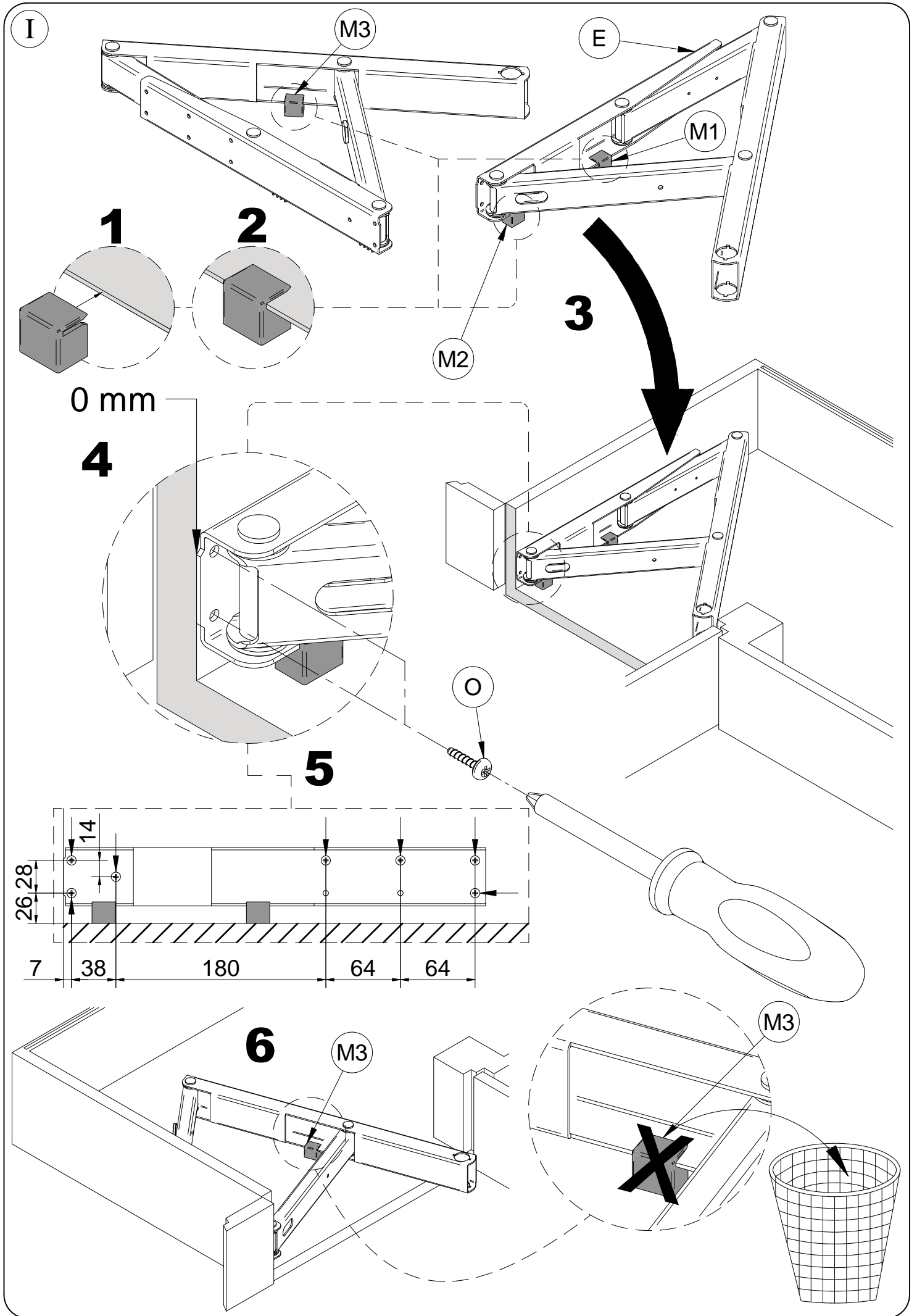
BEFORE STARTING, REFER
TO THE ASSEMBLING
ADVICE IN ANNEX

AVANT DE COMMENCER, SE
REPORTER AUX CONSEILS
DE MONTAGE EN ANNEXE

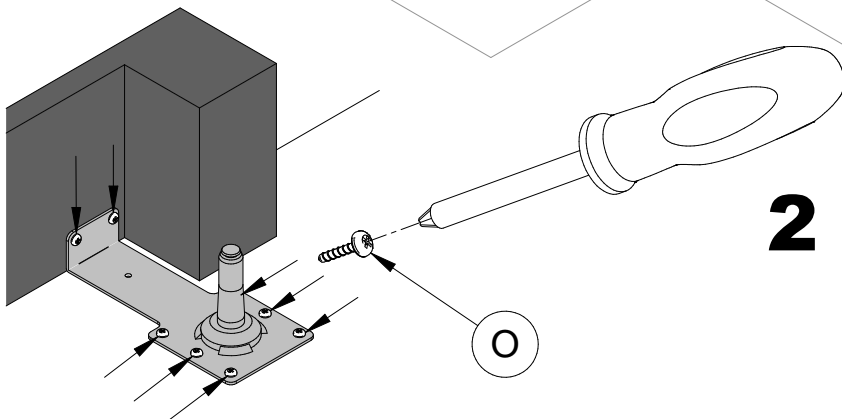
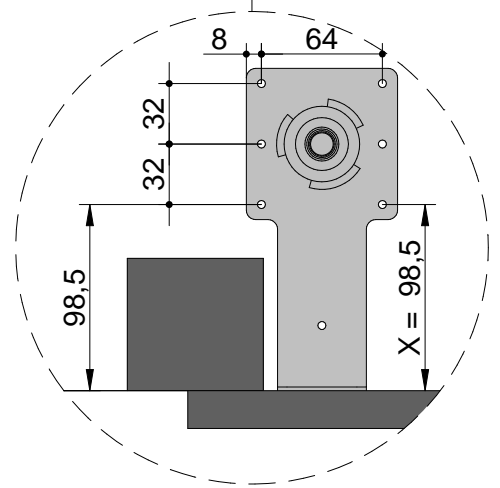
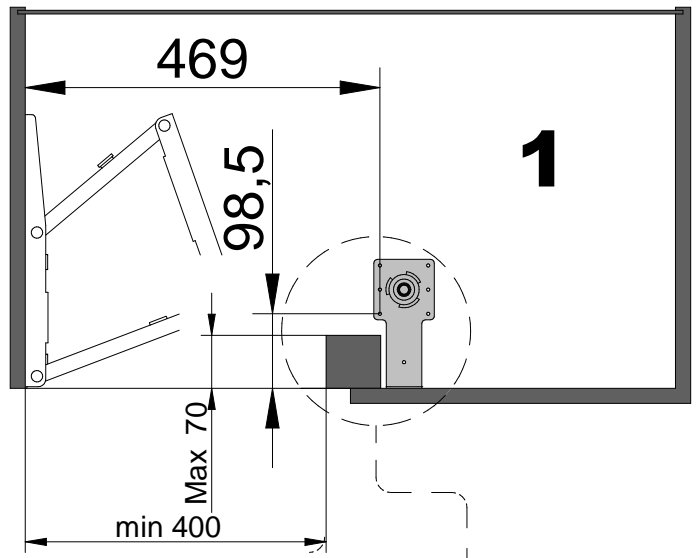
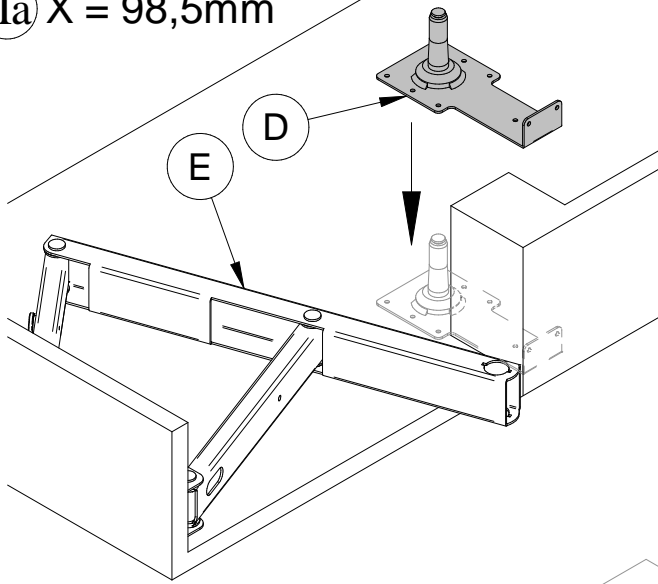
VOR DIE MONTAGE, BITTE
BEILIEGENDE
ANWEISUNGEN FOLGEN

ANTES DE EMPEZAR
CONSULTE LOS CONSEJOS
PARA EL MONTAJE

 A x 1	 B x 1	 C x 2	 D x 1	 E x 1	 F x 1	
 G x 6	 H x 6	 I x 3	 L x 3	 M x 3	 N x 6	 O x 25

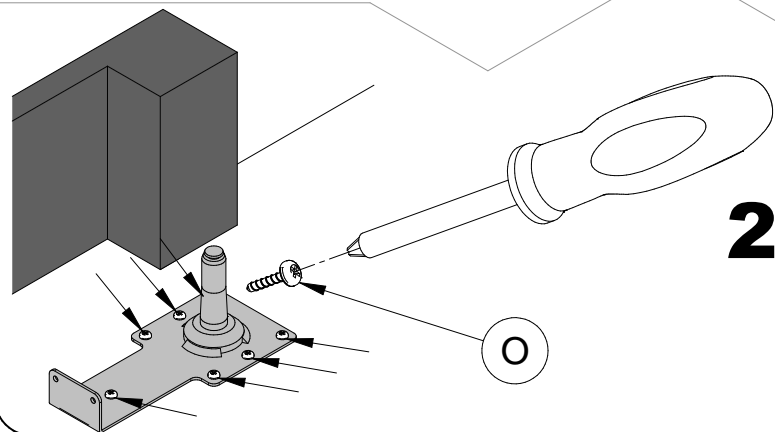
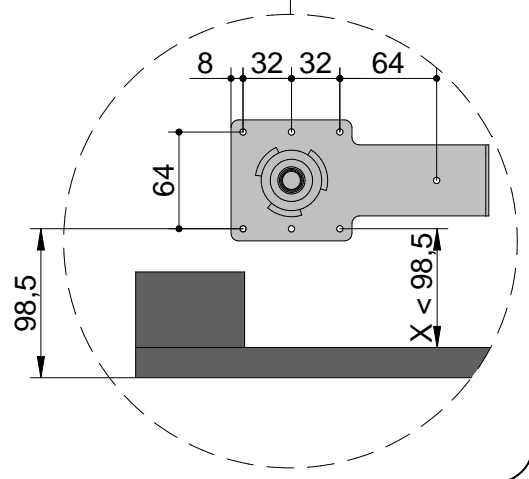
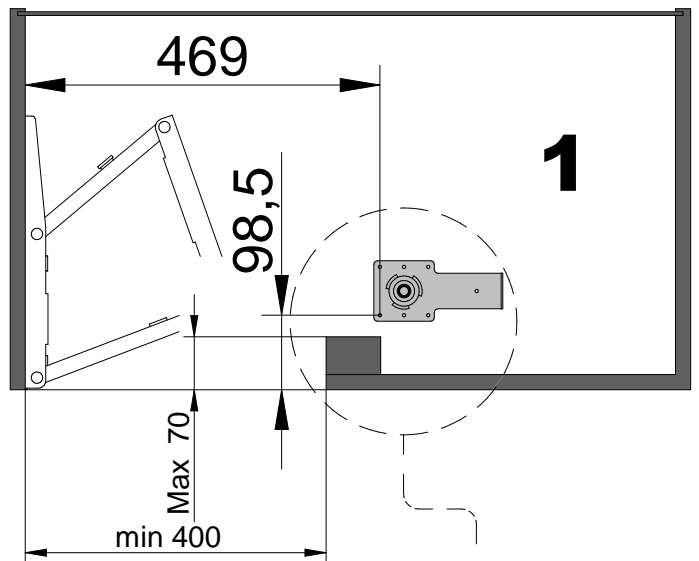
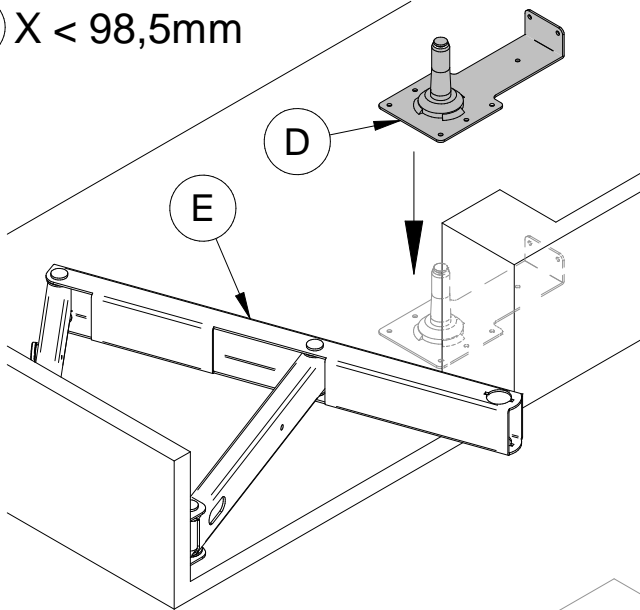


IIa X = 98,5mm



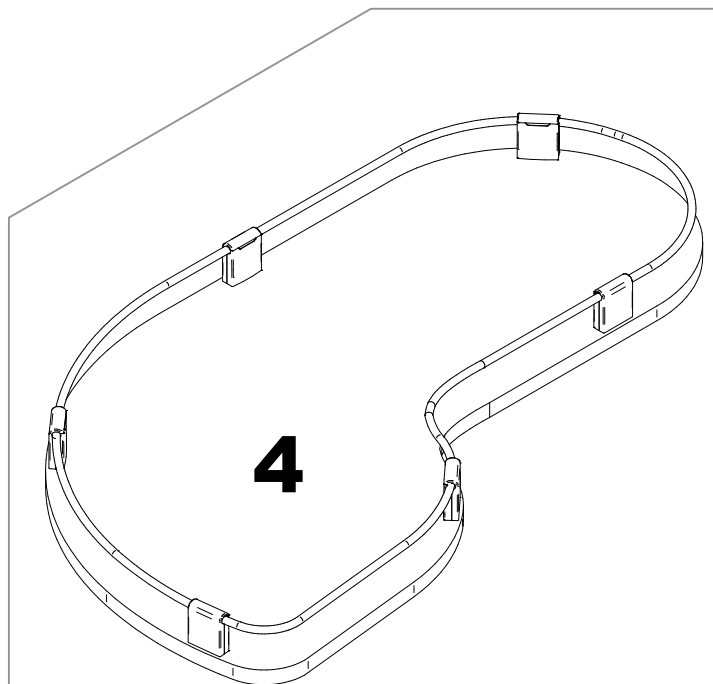
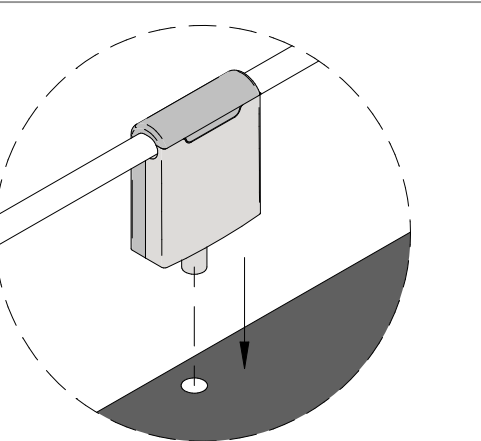
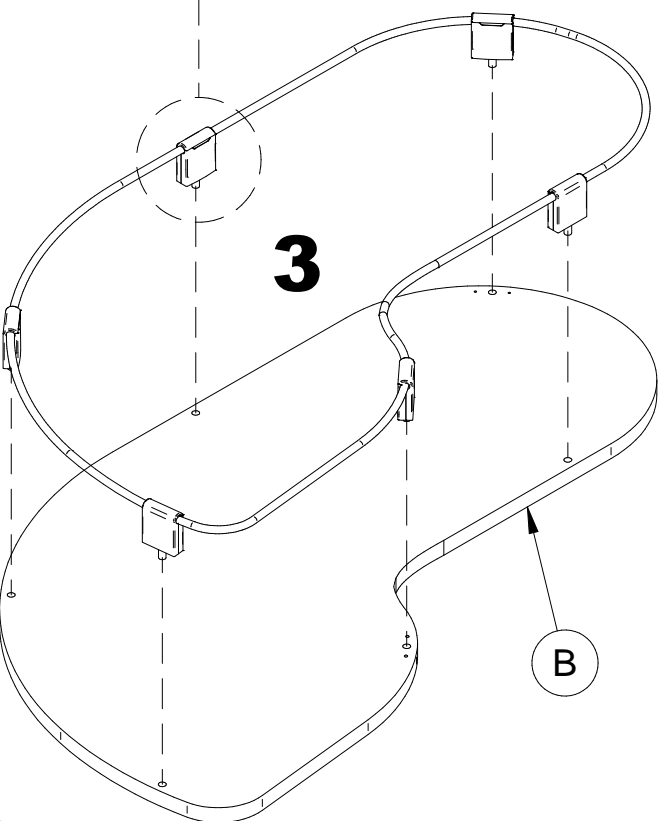
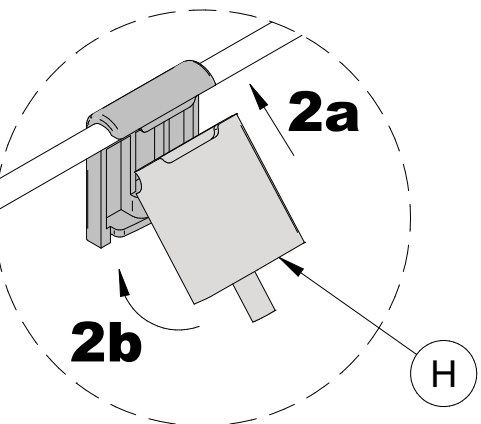
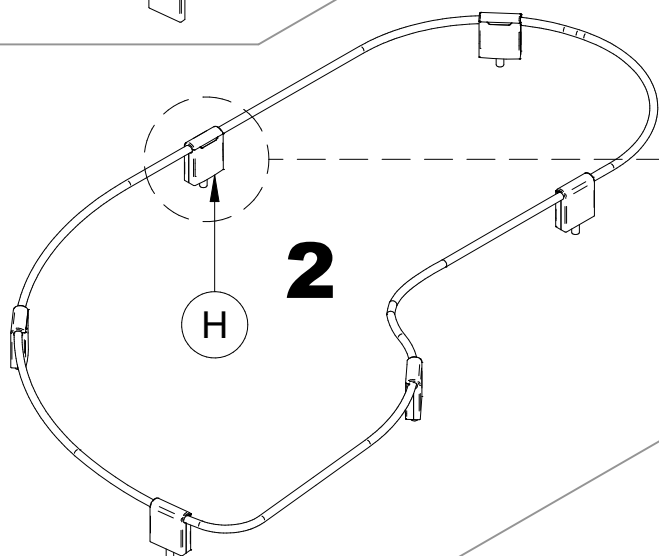
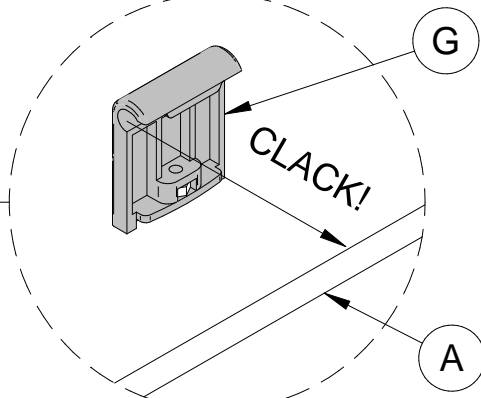
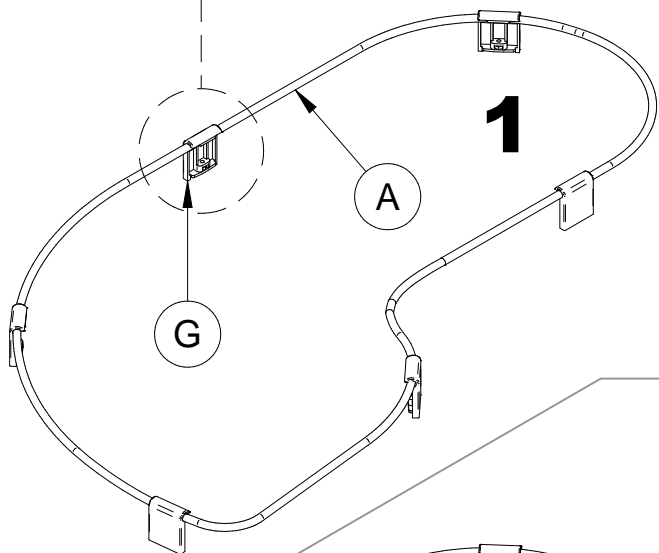
2

IIb X < 98,5mm

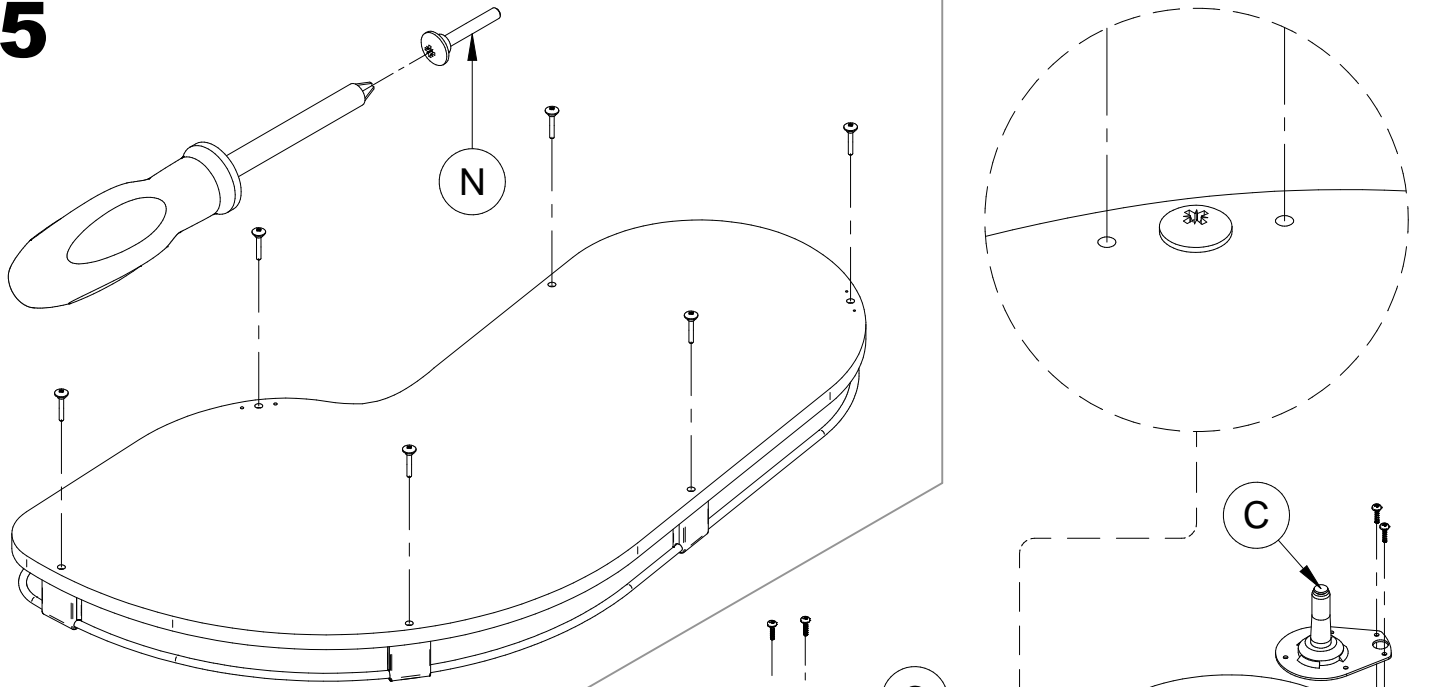


2

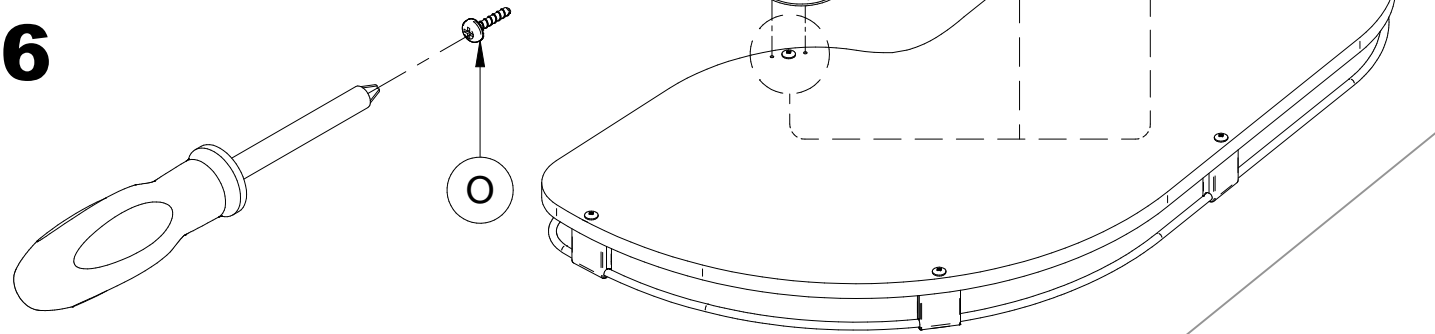
III



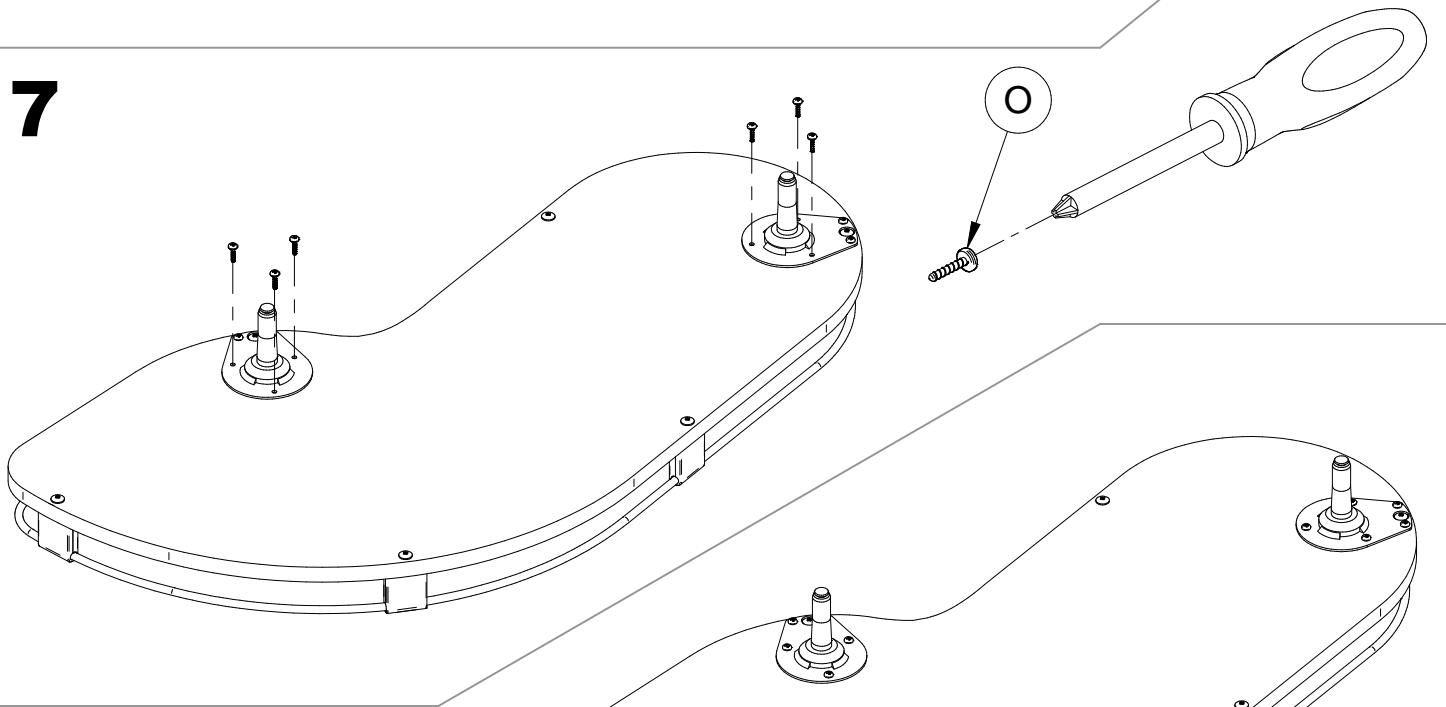
5



6



7



8

